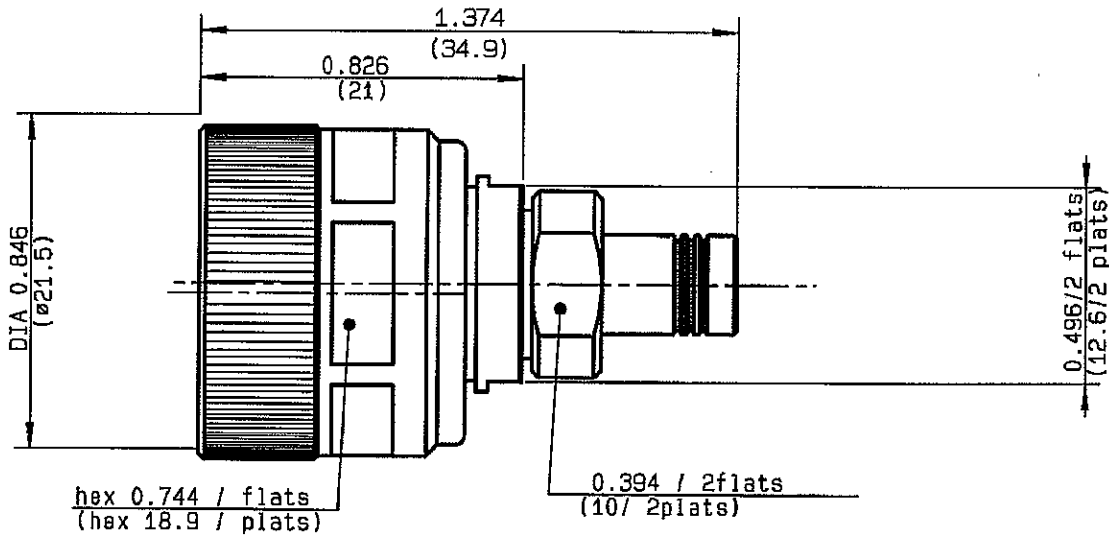


PC7 - SMB FEMALE STRAIGHT ADAPTER

R191.007.000
SERIES ADAPT



NOMINAL IMPEDANCE	50	Ω
FREQUENCY RANGE	0-4	GHz
TEMPERATURE RATING	+13/+33	°C
V.S.W.R	1.05 + .01 x F(GHz)	Maxi
RF INSERTION LOSS	0.250 √F(GHz)	dB Maxi
VOLTAGE RATING	500	V _{eff} Maxi
DIELECTRIC WITHSTANDING VOLTAGE	1000	V _{eff} Mini
INSULATION RESISTANCE	5000	M ΩMini
HERMETIC SEAL	NA	Atm.cm ³ /s
LEAKAGE (pressurized only)	NA	
MECHANICAL DURABILITY	500	Cycles
WEIGHT	42.57	gr
SPECIFICATION		

CABLES :	
OTHERS CHARACTERISTICS	
CABLE RETENTION	N Mini
CENTER CONTACT RETENTION	
Axial force - mating end	27 N Mini
Axial force - opposite end	27 N Mini
Torque	3 cm.N Mini
RECOMMENDED TORQUES	
Mating	NA cm.N
Panel nut	NA cm.N
Clamp nut	NA cm.N

CONNECTOR PARTS	MATERIALS	FINISH	(all values are given in micrometers)
BODY	STAINLESS STEEL	GOLD 1.3 OVER NICKEL 2	
OUTER CONTACT			
CENTER CONTACT	BERYLLIUM COPPER	GOLD 1.3 OVER NICKEL 2	
INSULATOR	PTFE, ULTEM	-	
GASKET		-	
OTHERS PIECES	BRASS	NICKEL 2	

ISSUE	CREATION DATE	FILE PART-NUMBER
0619 S	04/05/1970	DM-9705-028



The information given here is subject to change without notice. Design changes may be in order to improve the product.

Connect to the future